



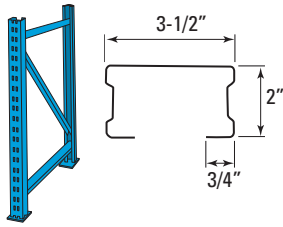
**NORTH AMERICAN STEEL**

## **NAS TRIPLE-A PALLET RACKING**



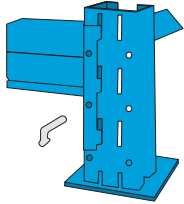
**TRIPLE A**  
**OVER 50 YEARS OF**  
**DESIGN AND PRODUCTION**  
**EXPERIENCE BUILT INTO IT**





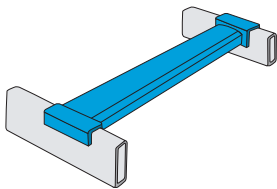
### END FRAMES:

Medium Duty - Have a rating of 22,000 lbs. at 48" beam centres. Inquire about Heavy Duty Double-Posted End Frames.



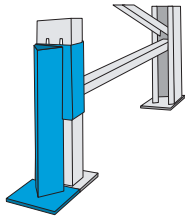
### BOX BEAMS:

1-3/4" wide, choice of 3", 4", 6" high. Ideal for heavy pallet loading, for tunnel bays with 3-pallet loading or where reduced beam height is necessary.



### HOOK-OVER SAFETY BARS:

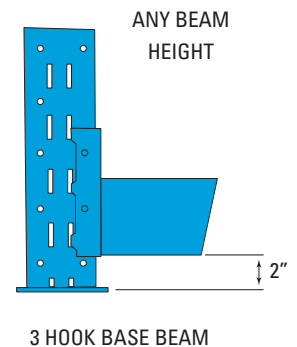
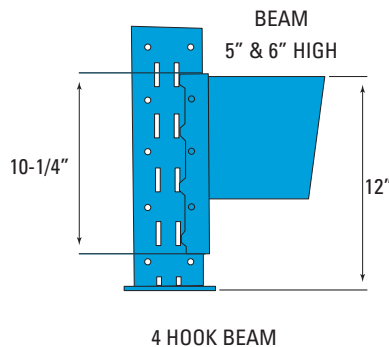
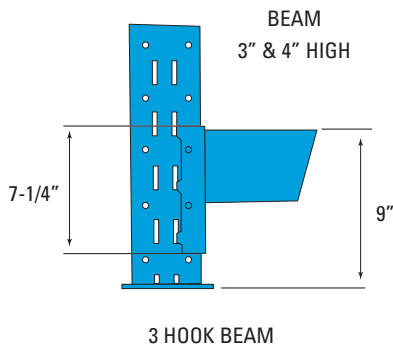
Provide support for skid loads as well as preventing beams from spreading on extra wide racks under heavy loads.



### POST PROTECTORS:

Provides frame protection in heavy traffic areas.

## SPECIALTY BEAMS AVAILABLE ON REQUEST



## FINISH: HIGH PERFORMANCE POLYMER POWDER COATING

# NORTH AMERICAN STEEL

300 Hopkins Street, Whitby, Ontario Canada L1N 2B9  
 Phone: (905) 668-3300  
 Toll Free: (800) 735-4153 Email: sales@naseco.ca  
 Fax: (905) 668-5477 Web: www.naseco.ca